

# 2TG/2TD

TOWING TRACTOR

2.0 and 2.5 ton

S E R I E S



 TOYOTA

# COMPLETE PROFESSIONAL

## A Work of Supreme Performance

Advanced TOYOTA technology introduces 2.0 and 2.5 ton series towing tractors. Designed expressly to meet demanding professional needs, the fast traveling speed and small turning radius of the Towing Tractor bring outstanding maneuverability to any worksite. What's more, the innovative wedge shape and stylish low silhouette add a sophisticated touch. When traveling, towing or turning, it's clear the Towing Tractor has earned its mart as a professional.

## COMPLETE POTENTIAL

TOYOTA's lineup of diesel and gasoline engines, tailored with the leading engineering for exclusive use in industrial vehicles, offers you a choice for drive power.

Statistics in recent years have shown that the amount of material handled by towing tractors and the distance traveled are both increasing. In response to this trend, Toyota offers its powerful 3.5 liter direct-injection 2Z diesel engine on the 42-2TD20.25 models. It provides the power to overcome the challenges of hauling large loads at high speed over long distances and up steep ramps and grades.



## COMPLETE SENSIBILITY

### Operator's Compartment:

Here, full advantage was taken of TOYOTA's design expertise to create an operator's compartment that makes sense — maximum efficiency and response with minimum operator fatigue.

The floor offers a surprising amount of roominess, with meters and gauges in an integrated layout of new design for maximum visibility.

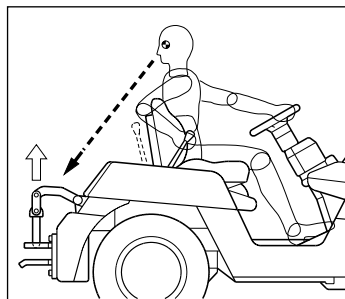
What this all adds up to is ergonomic design for top operator comfort and outstanding maneuverability — the key to top productivity.



**2Z  
DIESEL ENGINE**



**Seat:** This seat provides both comfort and support to reduce fatigue during long hours of operation. A suspension seat with damper is optionally available to help soften the ride even more.



**Drawbar Lever & Pin:** From the seat, the operator has a clear view of the drawbar pin and can easily operate the drawbar lever. A hydraulic drawbar lever is available as an option.



**Automatic Transmission:** The resin shift lever knob is large and textured for easy operability. The automatic transmission shifts from L to 2 to D, even when set in the D range (02-, 42- Model).

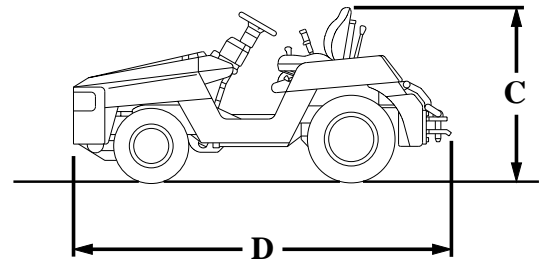
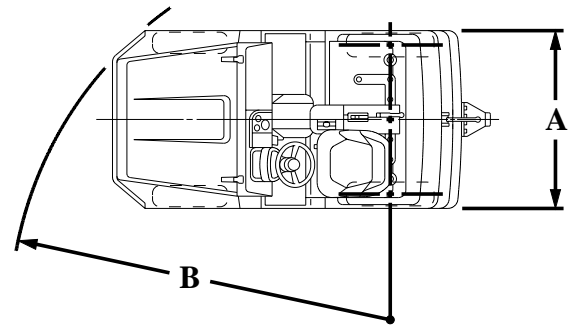


**Steel Cabin:** The perfect option for towing tractors used in climates that are extremely cold or have lots of rain. It helps to boost both comfort and safety.

## MAIN SPECIFICATIONS

Model		2TG20 2TD20	2TG25 2TD25
Engine Model		4Y 1DZ, (2Z)	4Y 1DZ, (2Z)
Maximum Drawbar Pull	kg N	2000 19500	2500 24500
Gradeability*	% (tan θ)	46	46
Overall Width	A mm	1420	1420
Turning Radius (Outside)	B mm	3050 (3200)	3050 (3200)
Overall Height	C mm	1390	1390
Overall Length	D mm	3020 (3130)	3020 (3130)

NOTE: \*At forward 1st speed  
( ) for 2Z engine model



## ENGINE SPECIFICATIONS

Model		TOYOTA 4Y Gasoline	TOYOTA 1DZ Diesel	TOYOTA 2Z Diesel
Piston Displacement	cc	2237	2486	3469
Rated Horsepower/r.p.m.	kW JIS ps	39.7/2400 54/2400	40.5/2400 55/2400	48.5/2200 66/2200
Rated Torque/r.p.m.	N-m JIS kg-m	162/1800 16.5/1800	167/1600 17/1600	216/1600 22/1600

## Other Models

### 1 Ton Series



### 3.5 Ton Series



## MAIN SPECIFICATIONS

Model		2TG10	3TG35 3TD35	40-3TD35	3TD45
Engine Model		5K	2F 2H	2D	2D
Maximum Drawbar Pull	kg N	1000 9800	3500 34300	3500 34300	4500 44100
Gradeability*	% (tan θ)	47	46	46	46
Overall Width	A mm	1130	1900	1900	1900
Turning Radius (Outside)	B mm	2300	4500	4500	4500
Overall Height	C mm	1275	1730	1730	1730
Overall Length	D mm	2380	3835	3835	3835

NOTE: \*At forward 1st speed

## ENGINE SPECIFICATIONS

Model		TOYOTA 5K Gasoline	TOYOTA 2F Gasoline	TOYOTA 2H Diesel	TOYOTA 2D Diesel
Piston Displacement	cc	1486	4230	3980	6494
Rated Horsepower/r.p.m.	kW JIS ps	25/2500 34/2500	49/2100 67/2100	51/2200 70/2200	66/2100 (77/2100) 90/2100 (105/2100)
Rated Torque/r.p.m.	N-m JIS kg-m	104/1800 10.6/1800	255/1200 26/1200	235/1600 24/1600	323/1400 (392/1600) 33/1400 (40/1600)

NOTE: ( ) for powershift model

Availability and specifications are determined regionally and are subject to change without notice.  
Please consult your Toyota representative for details.

Printed on recycled paper.  
All rights reserved by Toyota Industries Corporation.



**TOYOTA Material Handling Company**  
A Division of TOYOTA INDUSTRIES CORPORATION