



**AS AUTOELEVADORES**

EQUIPAMIENTO INDUSTRIAL

TUCUMAN | ARGENTINA

# BT Levio

LWE140

LWE160

LWE180

LWE200

LWE250





# AS AUTOELEVADORES

## EQUIPAMIENTO INDUSTRIAL

TUCUMAN | ARGENTINA

### Pedestrian Lowlifter

### BT Levio

Specification for lowlifter trucks						LWE140	LWE160
Identification	1.1	Manufacturer				BT	BT
	1.2	Model				LWE140	LWE160
	1.3	Drive				Electric	Electric
	1.4	Operator type				Pedestrian	Pedestrian
	1.5	Load capacity/rated load	Q	kg		1400	1600
	1.6	Load centre	c	mm		600	600
	1.8	Load distance, centre of support arm wheel to face of forks	x	mm		928	928
	1.9	Wheelbase	y	mm		1257	1257
	Weight	2.1	Service weight including battery		kg		458
2.2		Axle load, with load, drive/castor/fork wheel		kg		590/150/1115	695/150/1275
2.3		Axle load, without load, drive/castor/fork wheel		kg		200/150/105	255/150/115
Wheels	3.1	Drive/castor/fork wheel				Tophane/Topthane/PUR *)	
	3.2	Wheel size, front		mm	Ø85x100	Ø85x100	
	3.3	Wheel size, rear		mm	Ø230x70	Ø230x70	
	3.4	Additional wheels (dimensions)		mm	Ø125x50	Ø125x50	
	3.5	Wheels, number front/rear (x=driven wheels)				2/1x+2	
	3.6	Track width, front	b <sub>10</sub>	mm	394	394	
	3.7	Track width, rear	b <sub>11</sub>	mm	430	430	
Dimensions	4.4	Lift	h <sub>3</sub>	mm	120	120	
		Lift height	h <sub>23</sub>	mm	205	205	
	4.9	Height of tiller in drive position, min./max.	h <sub>14</sub>	mm	865/1235	865/1235	
	4.15	Height, fork lowered	h <sub>13</sub>	mm	85	85	
	4.19	Overall length	l <sub>1</sub>	mm	1628	1685	
	4.20	Length to face of forks	l <sub>2</sub>	mm	478	535	
	4.21	Overall width	b <sub>1</sub>	mm	726 <sup>3)</sup>	726	
	4.22	Fork dimensions	s/e/l	mm	76/156/1150 *)	76/156/1150 *)	
	4.25	Width over forks	b <sub>5</sub>	mm	550 *)	550 *)	
	4.32	Ground clearance, centre of wheelbase	m <sub>2</sub>	mm	21	21	
	4.33	Aisle width for pallets 1000x1200 crossways	A <sub>st</sub>	mm	1828	1985	
4.34	Aisle width for pallets 800x1200 lengthways	A <sub>st</sub>	mm	1878	2035		
4.35	Turning radius	W <sub>s</sub>	mm	1406	1563		
Performance data	5.1	Travel speed, with/without load		km/h	6/6	6/6	
	5.2	Lift speed, with/without load		m/s	0.04/0.05	0.04/0.05	
	5.3	Lowering speed, with/without load		m/s	0.09/0.08	0.09/0.08	
	5.8	Max. gradeability, with/without load <sup>2)</sup>		%	8/18 <sup>1)</sup>	8/18 <sup>1)</sup>	
	5.10	Service brake				Electromagnetic	
Electric motor	6.1	Drive motor rating S2 60 min		kW	1.0	1.0	
	6.2	Lift motor rating at S3 15%		kW	1.0 <sup>2)</sup>	1.0 <sup>2)</sup>	
	6.4	Battery voltage/nominal capacity K <sub>5</sub>		V/Ah	24/150	24/225 *)	
	6.5	Battery weight		kg	158	214 *)	
Others	8.1	Type of drive control				BT Powerdrive	

<sup>1)</sup> Measured according to company standard

<sup>2)</sup> S3 10%

<sup>3)</sup> Further alternatives are available and will produce other values.

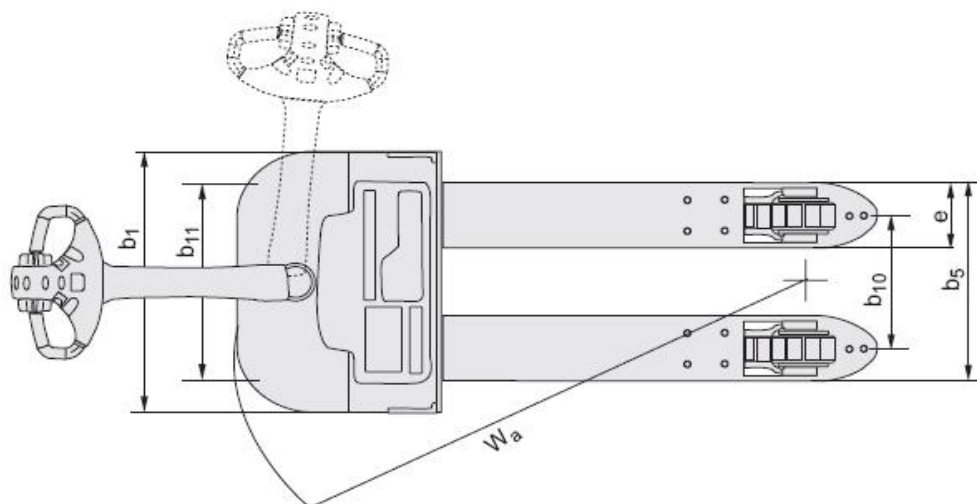
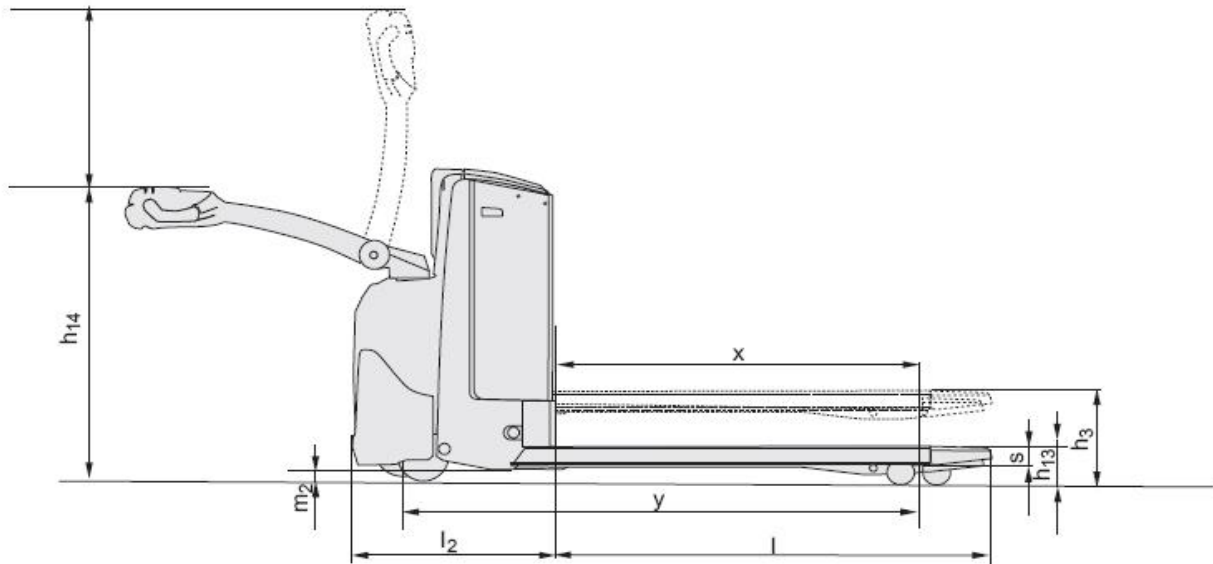
Data is based on standard configurations: Small battery compartment (LWE140) and Medium battery compartment (LWE160).

Truck performance and dimensions are nominal and subject to tolerances. BT Products AB products and specifications are subject to change without notice.



## Battery dependent dimensions

Dimensions		Battery Compartment		LWE140		LWE160	
				Small	Small	Medium	
1.9	Wheelbase	y	mm	1257	1257	1314	
4.19	Overall length	$l_1$	mm	1628	1628	1685	
4.20	Length to face of forks	$l_2$	mm	478	478	535	
4.33	Aisle width for pallets 1000x1200 crossways	$A_{\text{cr}}$	mm	1828	1828	1985	
4.34	Aisle width for pallets 800x1200 lengthways	$A_{\text{lr}}$	mm	1878	1878	2035	
4.35	Turning radius	$W_a$	mm	1406	1406	1563	
6.4	Battery voltage, nominal capacity $K_s$		V/Ah	24/150	24/150	24/225	
6.5	Battery weight, min.—max.		kg	120—165	120—165	180—220	







### Pedestrian Lowlifter

### BT Levio

Specification for lowlifter trucks				LWE180	LWE200	LWE250	
Identification	1.1	Manufacturer		BT	BT	BT	
	1.2	Model		LWE180	LWE200	LWE250	
	1.3	Drive		Electric	Electric	Electric	
	1.4	Operator type		Pedestrian	Pedestrian	Pedestrian	
	1.5	Load capacity/rated load	Q	kg	1800	2000	2500
	1.6	Load centre	c	mm	600	600	600
	1.8	Load distance, centre of support arm wheel to face of forks	x	mm	898	898	898
	1.9	Wheelbase	y	mm	1284	1284	1284
	Weight	2.1	Service weight including battery		kg	554	554
2.2		Axle load, with load, drive/castor/fork wheel		kg	760/150/1435	815/150/1580	950/150/1945
2.3		Axle load, without load, drive/castor/fork wheel		kg	260/150/135	260/150/135	260/150/135
Wheels	3.1	Drive/castor/fork wheel		Tophane/Tophane/PUR <sup>1)</sup>		Vulkollan/Topthane/Vulkollan <sup>1)</sup>	
	3.2	Wheel size, front		mm	Ø85x75	Ø85x75	Ø85x75
	3.3	Wheel size, rear		mm	Ø230x70	Ø230x70	Ø230x70
	3.4	Additional wheels (dimensions)		mm	Ø125x50	Ø125x50	Ø125x50
	3.5	Wheels, number front/rear (x=driven wheels)			4/1x+2	4/1x+2	4/1x+2
	3.6	Track width, front	b <sub>10</sub>	mm	370	370	370
	3.7	Track width, rear	b <sub>11</sub>	mm	430	430	430
Dimensions	4.4	Lift	h <sub>3</sub>	mm	120	120	120
		Lift height	h <sub>23</sub>	mm	205	205	205
	4.9	Height of tiller in drive position, min./max.	h <sub>14</sub>	mm	865/1235	865/1235	865/1235
	4.15	Height, fork lowered	h <sub>13</sub>	mm	85	85	85
	4.19	Overall length	l <sub>1</sub>	mm	1685	1685	1685
	4.20	Length to face of forks	l <sub>2</sub>	mm	535	535	535
	4.21	Overall width	b <sub>1</sub>	mm	726	726	726
	4.22	Fork dimensions	s/e/l	mm	78/180/1150 <sup>1)</sup>	78/180/1150 <sup>1)</sup>	78/180/1150 <sup>1)</sup>
	4.25	Width over forks	b <sub>5</sub>	mm	550 <sup>1)</sup>	550 <sup>1)</sup>	550 <sup>1)</sup>
	4.32	Ground clearance, centre of wheelbase	m <sub>2</sub>	mm	21	21	21
	4.33	Aisle width for pallets 1000x1200 crossways	A <sub>st</sub>	mm	1885	1885	1885
4.34	Aisle width for pallets 800x1200 lengthways	A <sub>st</sub>	mm	1935	1935	1935	
4.35	Turning radius	W <sub>a</sub>	mm	1433	1433	1433	
Performance data	5.1	Travel speed, with/without load		km/h	6/6	6/6	6/6
	5.2	Lift speed, with/without load		m/s	0.04/0.05	0.06/0.09	0.05/0.09
	5.3	Lowering speed, with/without load		m/s	0.09/0.08	0.09/0.08	0.09/0.08
	5.8	Max. gradeability, with/without load <sup>2)</sup>		%	9/18 <sup>1)</sup>	9/18 <sup>1)</sup>	8/18 <sup>1)</sup>
	5.10	Service brake			Electromagnetic	Electromagnetic	Electromagnetic
Electric motor	6.1	Drive motor rating S2 60 min		kW	1.0	1.5	1.5
	6.2	Lift motor rating at S3 15%		kW	1.0 <sup>2)</sup>	1.4 <sup>2)</sup>	1.4 <sup>2)</sup>
	6.4	Battery voltage/nominal capacity K <sub>5</sub>		V/Ah	24/225 <sup>1)</sup>	24/225 <sup>1)</sup>	24/225 <sup>1)</sup>
	6.5	Battery weight		kg	214 <sup>1)</sup>	214 <sup>1)</sup>	214 <sup>1)</sup>
Others	8.1	Type of drive control			BT Powerdrive	BT Powerdrive	BT Powerdrive

<sup>1)</sup> Measured according to company standard

<sup>2)</sup> S3 10%

<sup>\*)</sup> Further alternatives are available and will produce other values.

Data is based on standard configurations: Medium battery compartment.

Truck performance and dimensions are nominal and subject to tolerances.

BT Products AB products and specifications are subject to change without notice.



## Battery dependent dimensions

Dimensions		Battery change		LWE180		LWE200			LWE250		
				Lift out		Lift out		Sideways	Lift out		Sideways
		Battery Compartment	Medium	Large	Medium	Large	Large	Medium	Large	Large	
1.9	Wheelbase	y	mm	1284	1334	1284	1334	1334	1284	1334	1334
4.19	Overall length	$l_1$	mm	1685	1735	1685	1735	1735	1685	1735	1735
4.20	Length to face of forks	$l_2$	mm	535	585	535	585	585	535	585	585
4.33	Aisle width for pallets 1000x1200 crossways	$A_x$	mm	1885	1935	1885	1935	1935	1885	1935	1935
4.34	Aisle width for pallets 800x1200 lengthways	$A_x$	mm	1935	1985	1935	1985	1985	1935	1985	1985
4.35	Turning radius	$W_s$	mm	1433	1483	1433	1483	1483	1433	1483	1483
6.4	Battery voltage, nominal capacity $K_3$		V/Ah	24/225	24/300	24/225	24/300	24/260	24/225	24/300	24/260
6.5	Battery weight, min.—max.		kg	180—220	220—270	180—220	220—270	220—230	180—220	220—270	220—230

